

# 371, 371 EPA 362, 362 EPA

**Spare parts**

**Ersatzteile**

**Pièces détachées**

**Reserve onderdelen**

**Repuestos**

**Reservdelar**

Replaces

Ersetzt

Remplace

Vervangt

Reemplaza

Ersätter

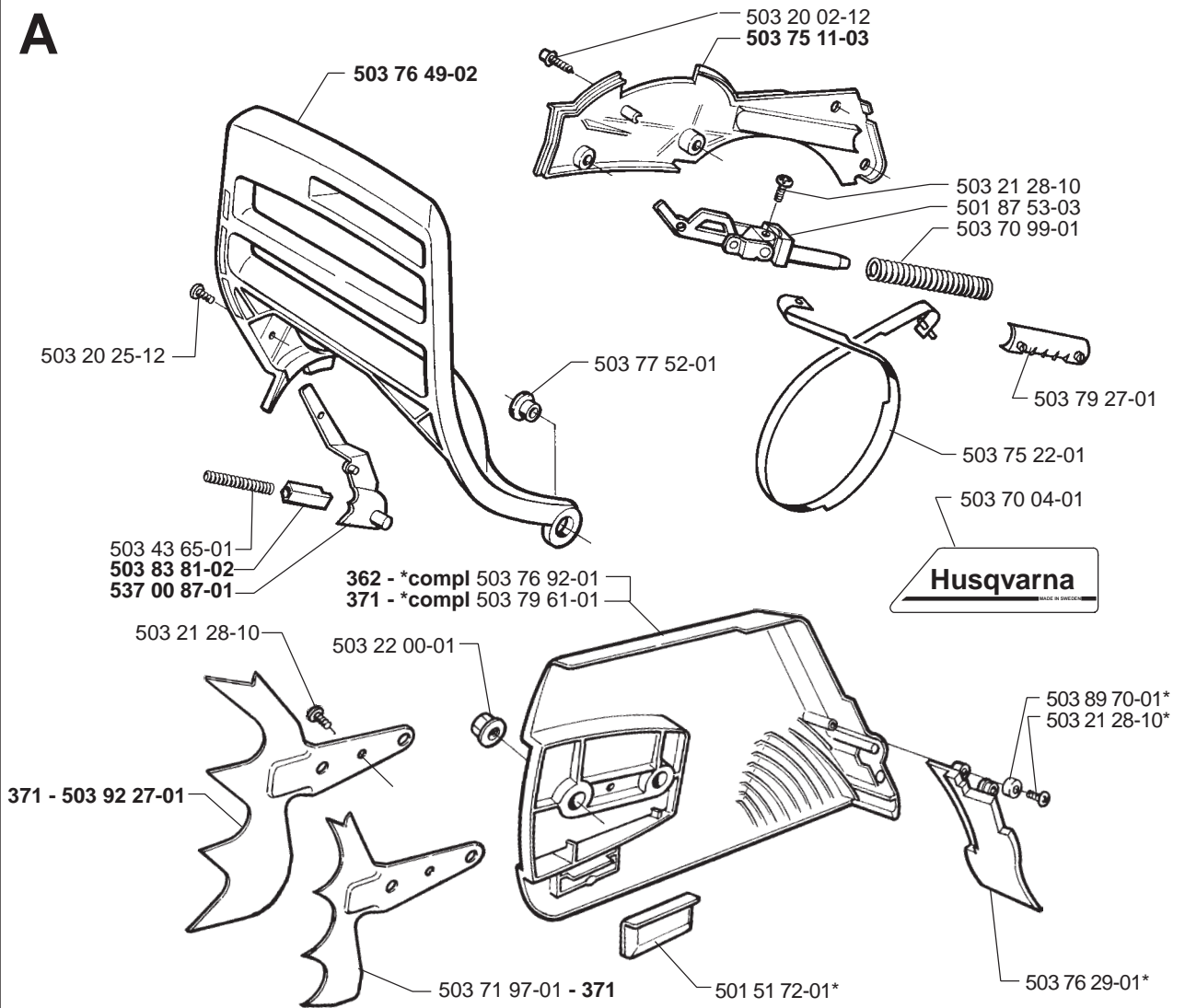
106 24 21-64

106 25 06-61

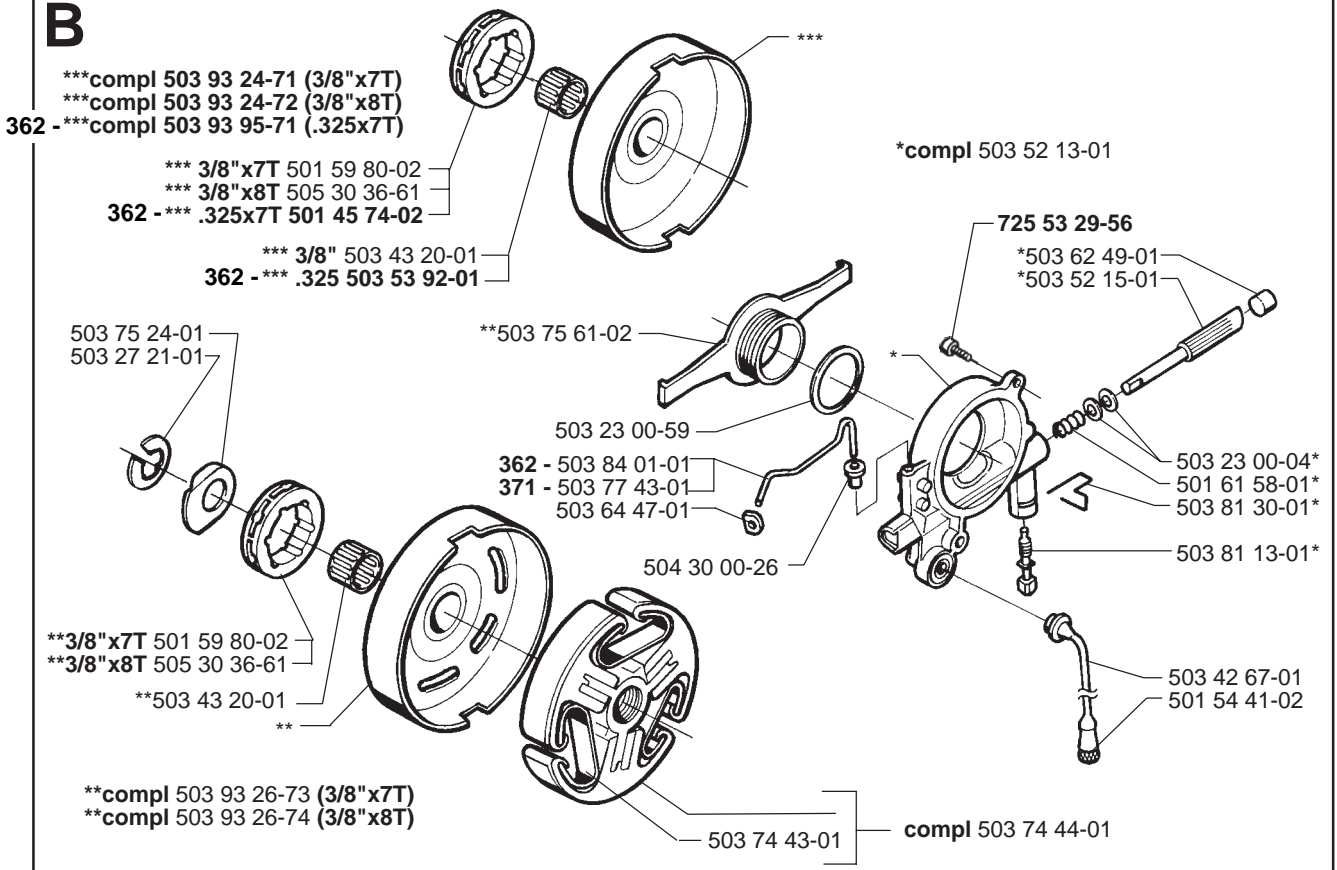
371

362

# A

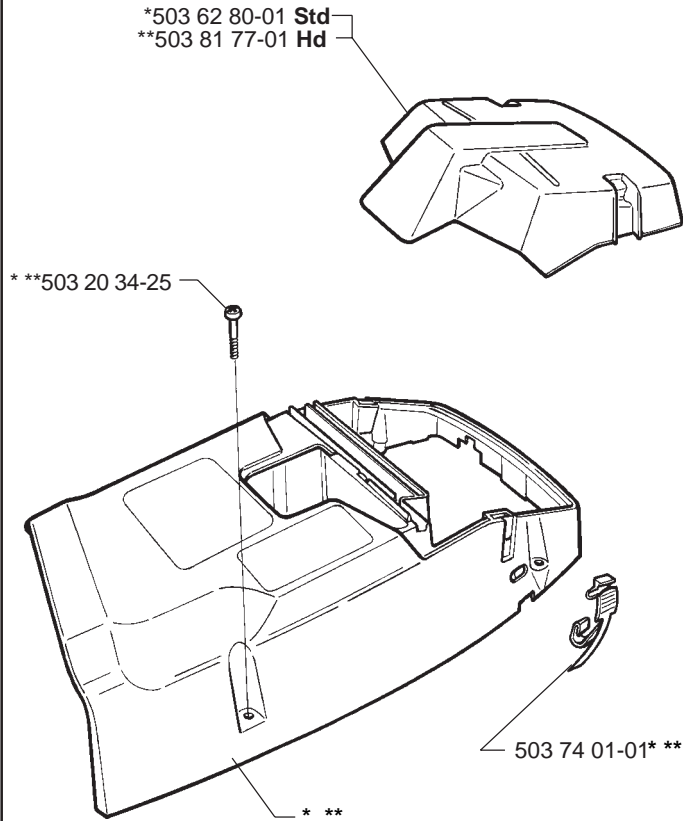


# B

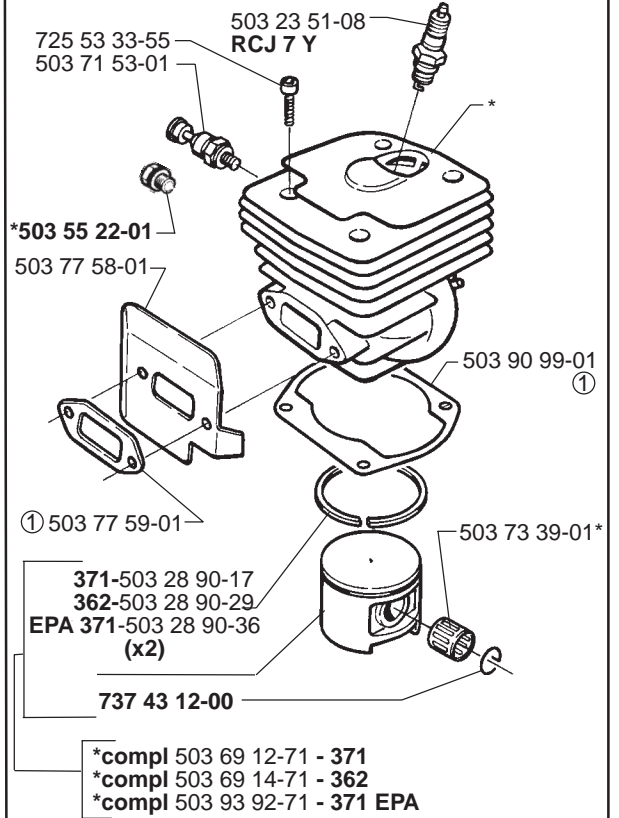


**C**

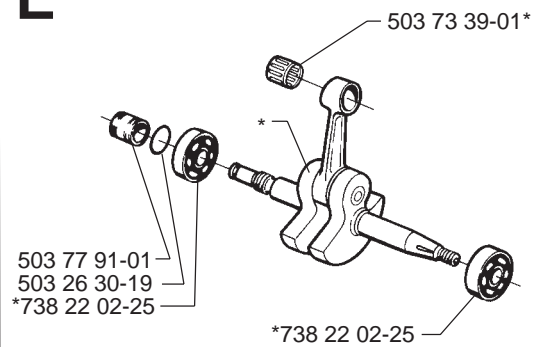
\*compl 503 62 78-02 Std  
 \*\*compl 503 62 78-04 Hd

**D**

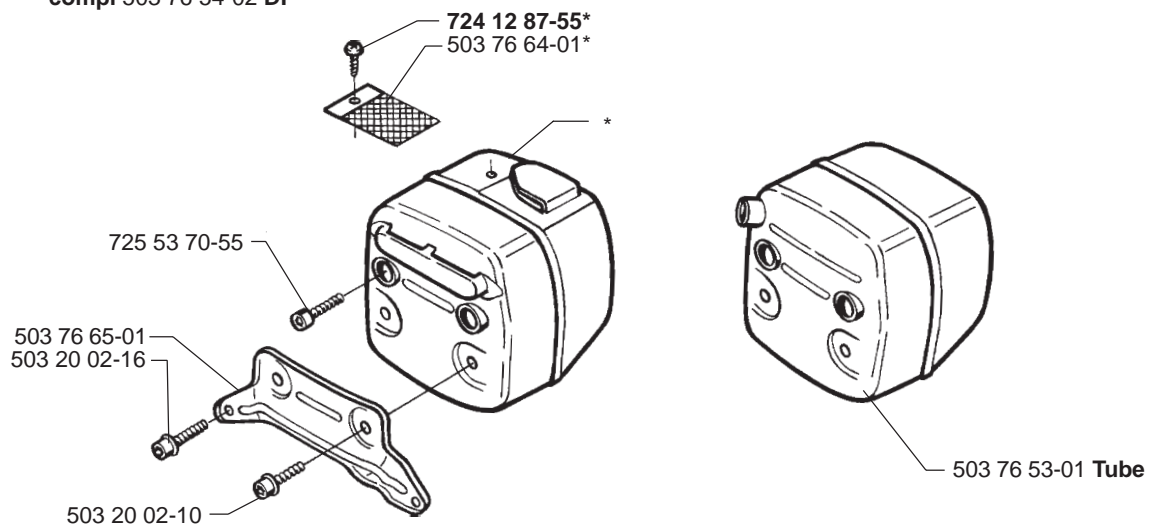
\*compl 503 62 64-72 - 371  
 \*compl 503 96 52-71 - 362  
 \*compl 503 93 93-71 - 371 EPA

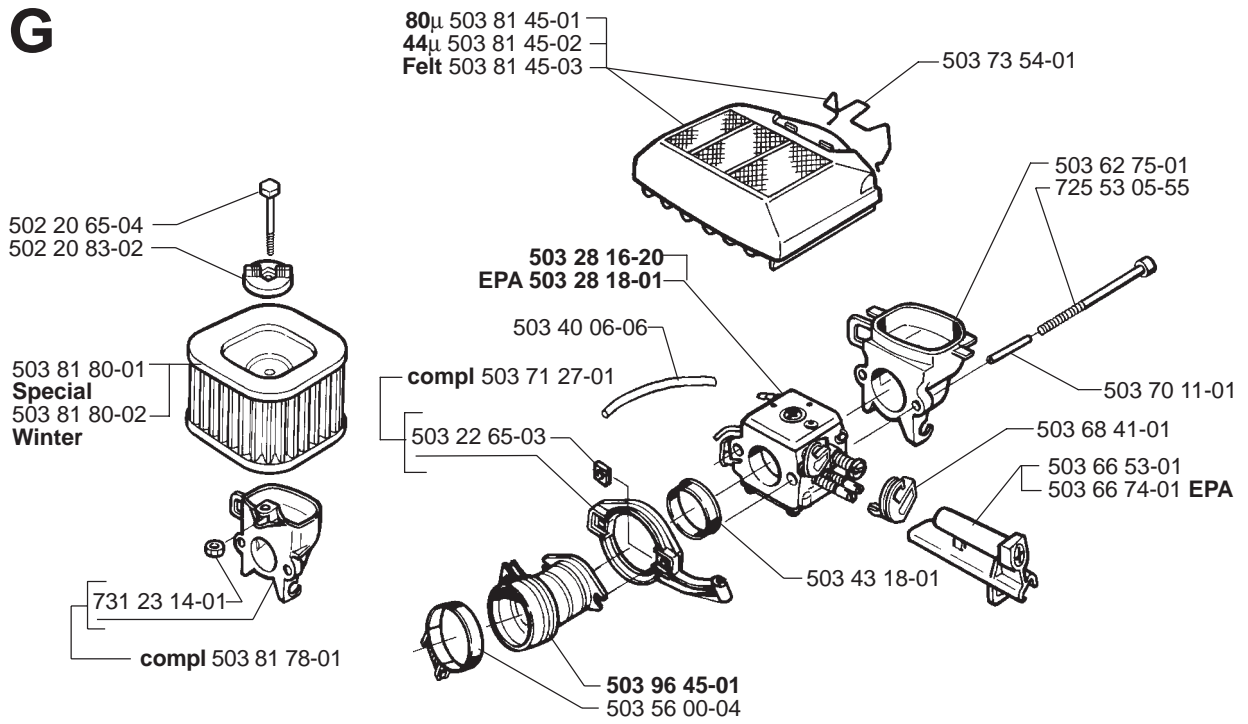
**E**

\*compl 503 72 91-76

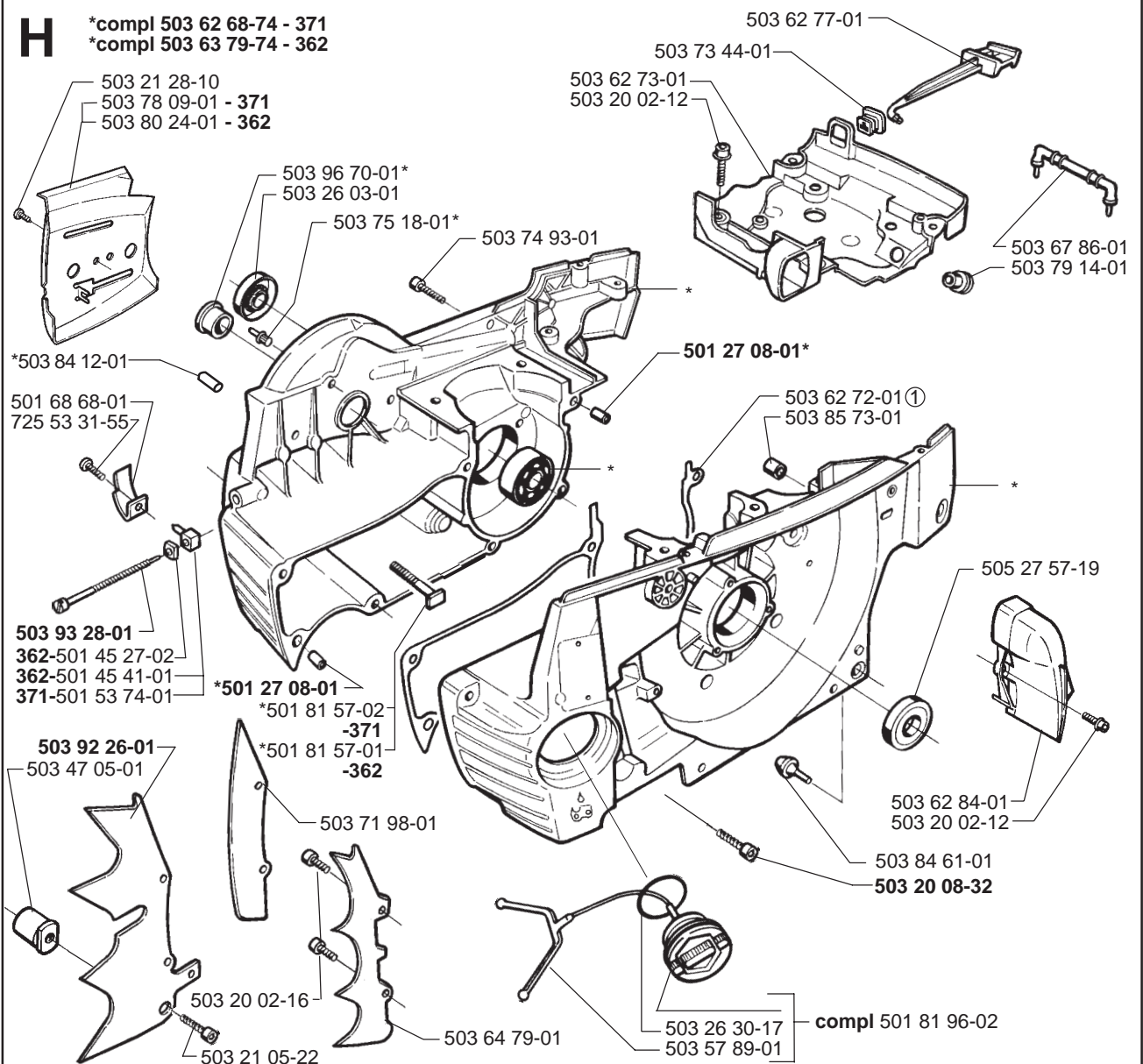
**F**

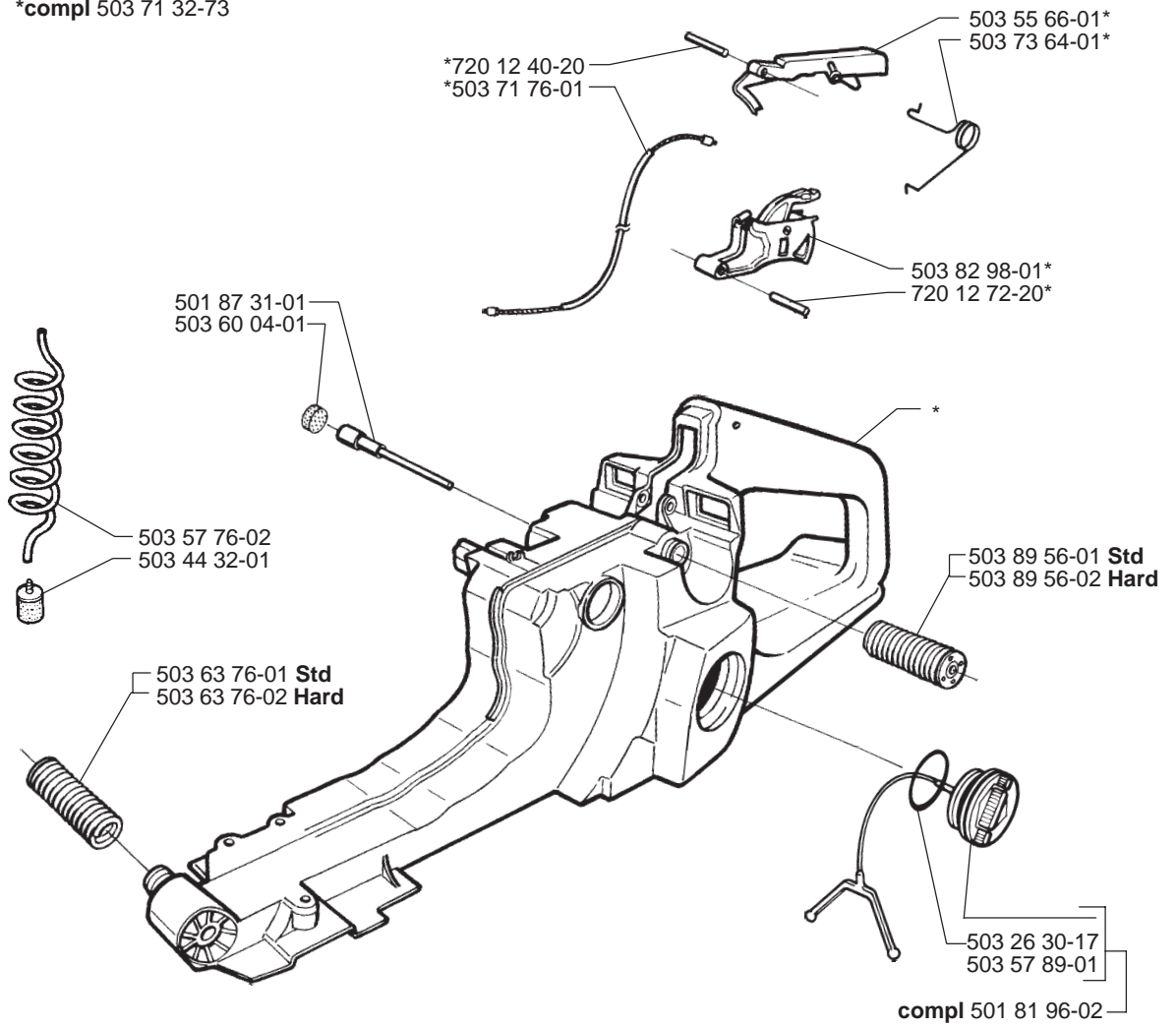
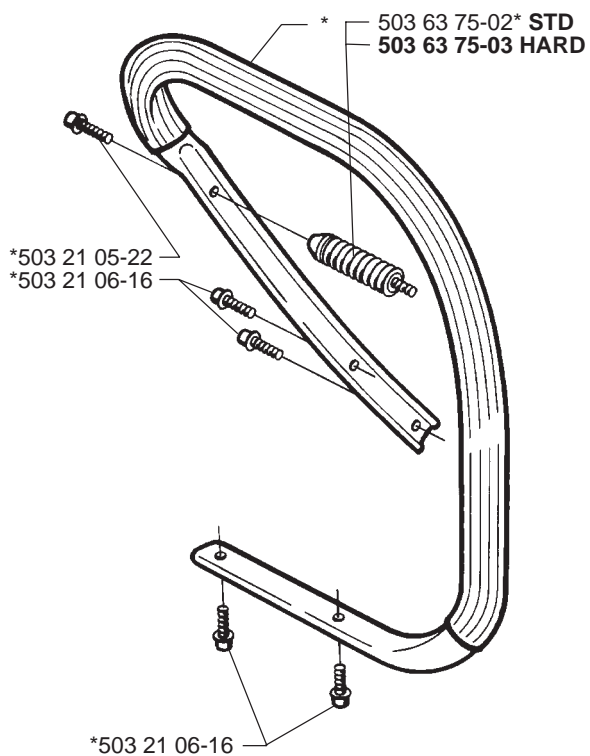
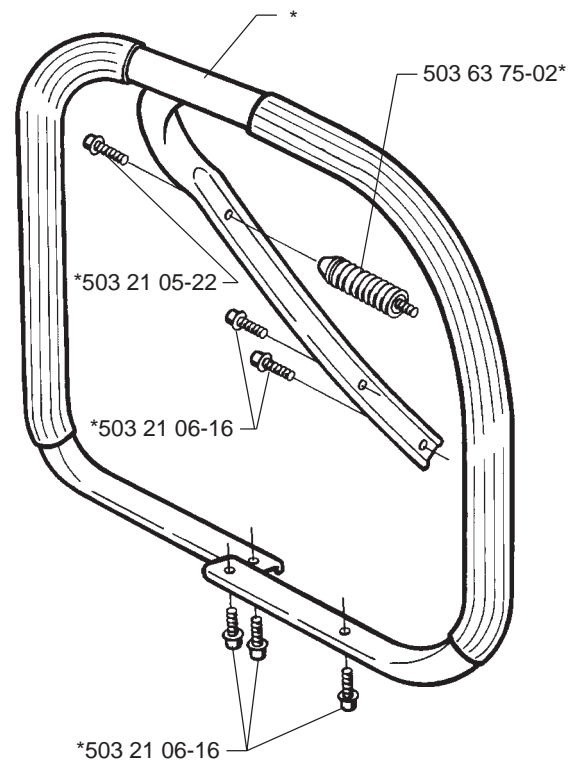
compl 503 76 52-01 FG  
 \*compl 503 76 53-02 Jungle  
 \*compl 503 76 54-02 DF



**G****H**

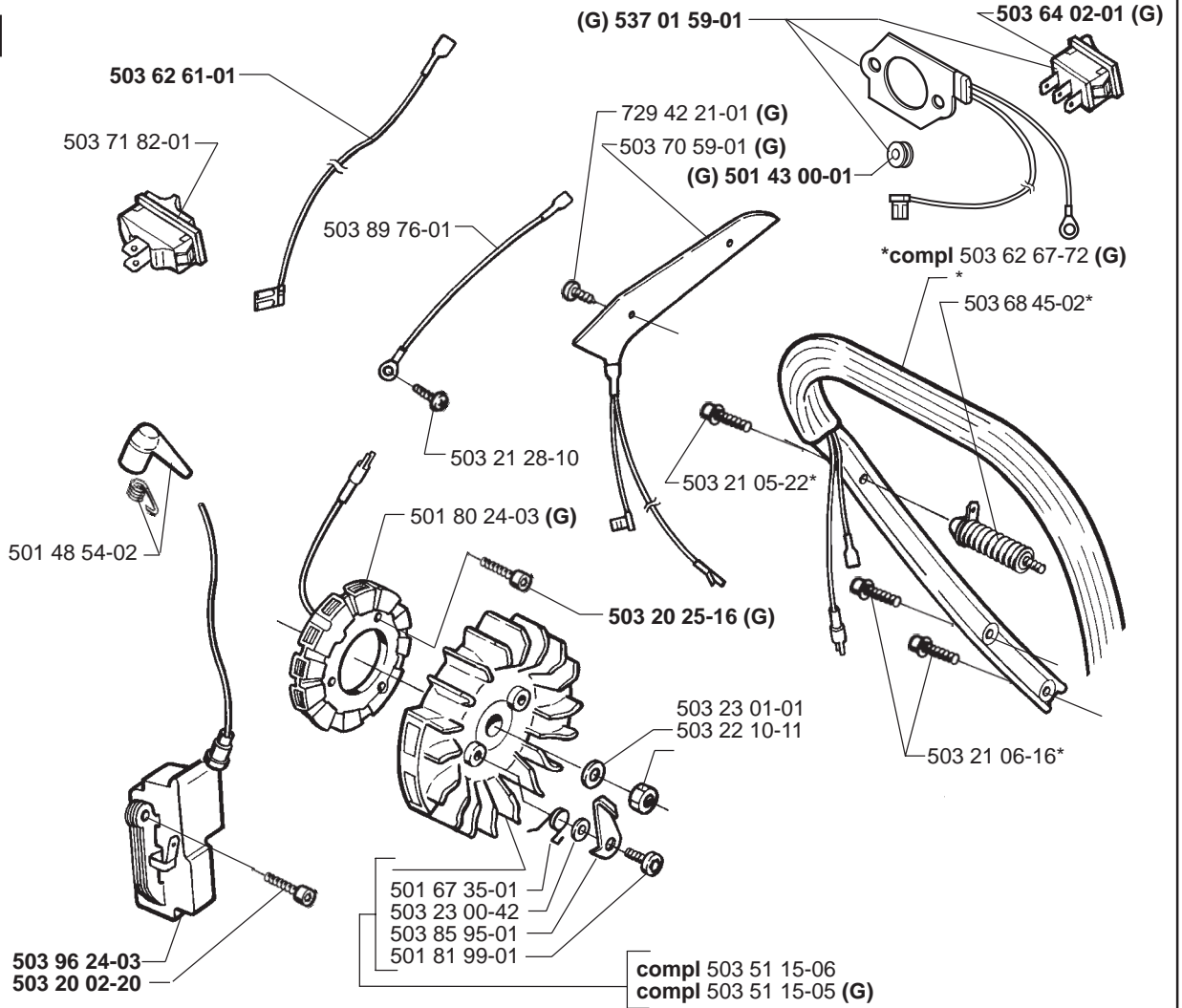
\*compl 503 62 68-74 - 371  
 \*compl 503 63 79-74 - 362



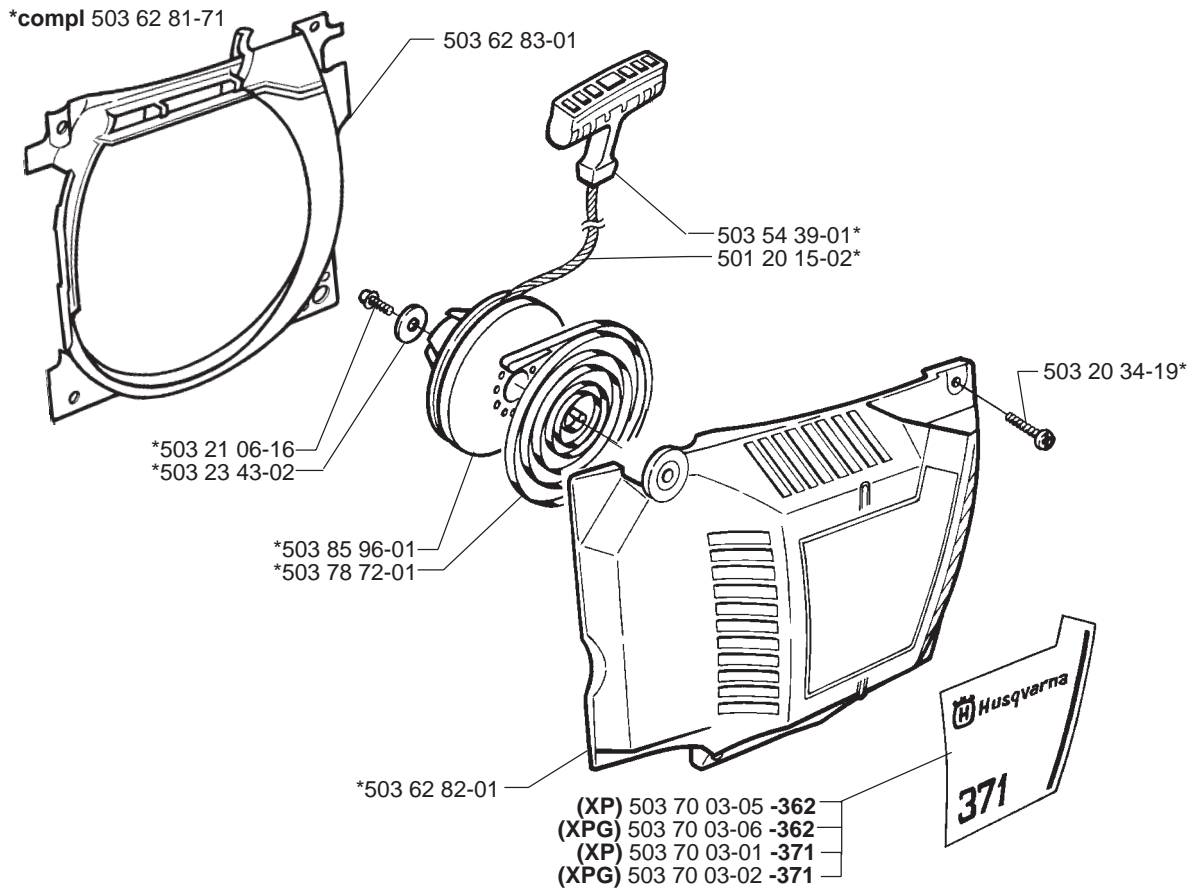
**J****\*compl 503 71 32-73****K****\*compl 503 62 67-71****L****\*compl 503 62 86-71**



# M

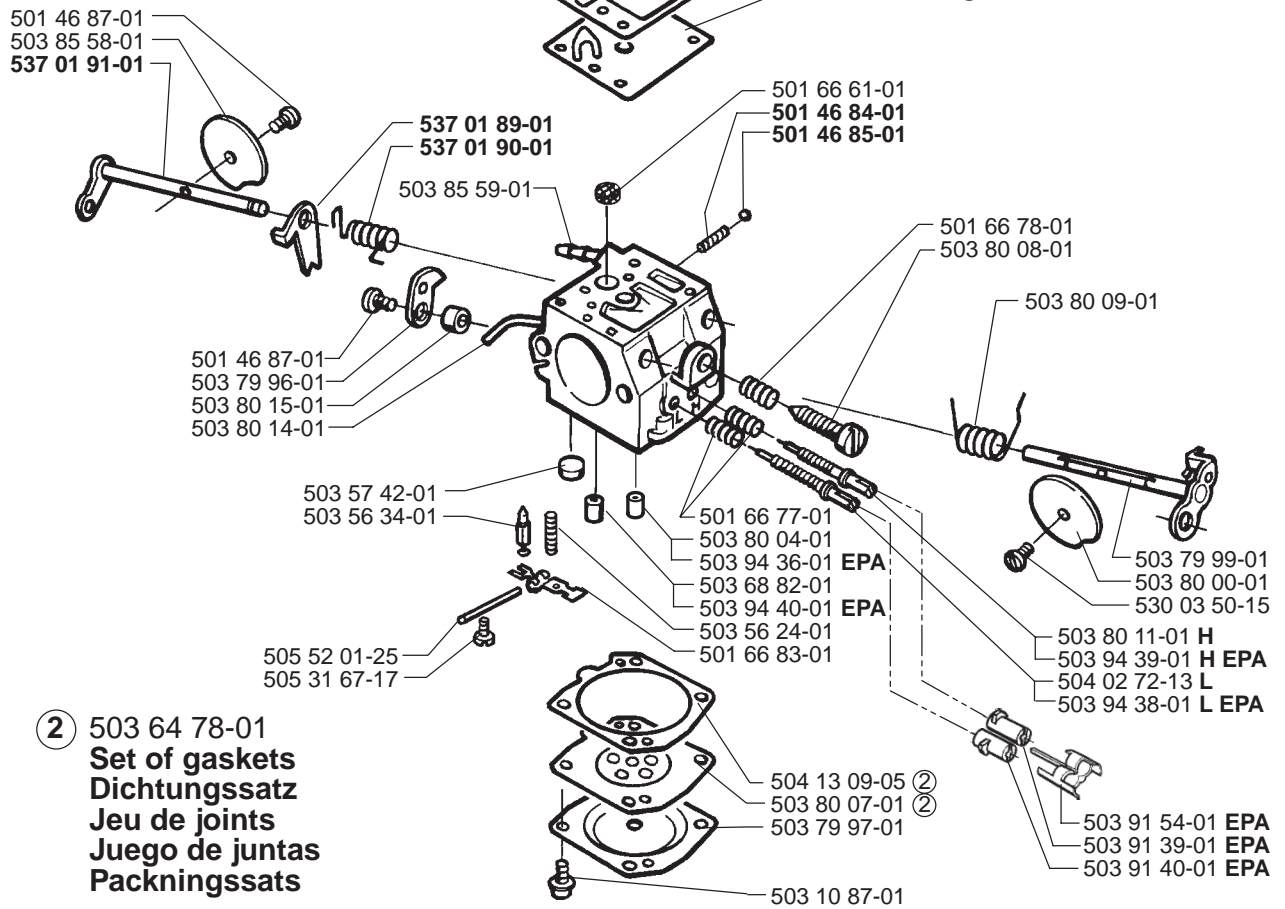


# N

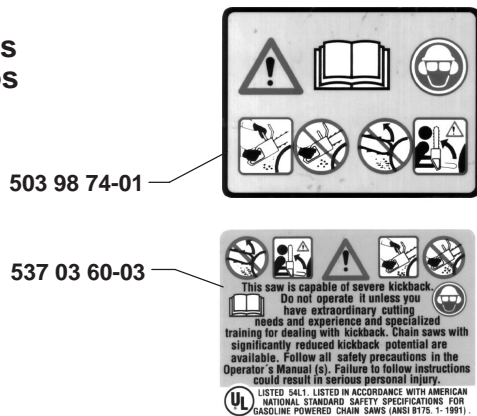


**P** compl 503 28 16-20  
 compl 503 28 18-01 EPA

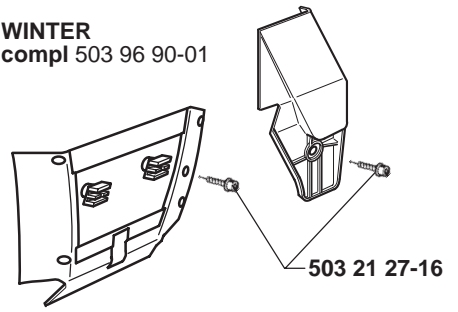
# Walbro HD-6 A Walbro HD-12 A EPA



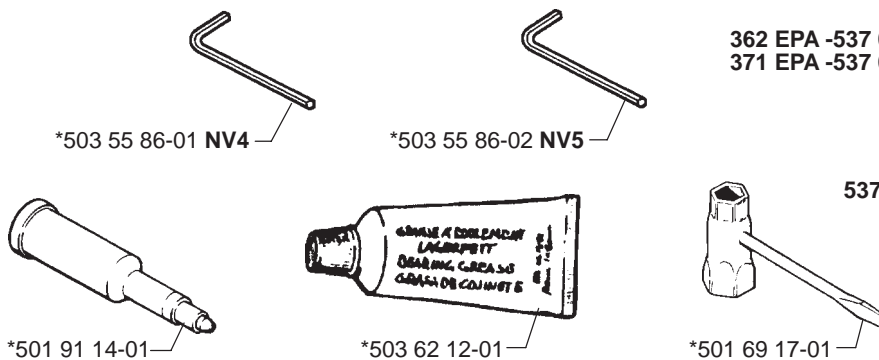
## Q Accessories Zubehöre Accessories Tillbehör



**WINTER**  
 compl 503 96 90-01



\*compl 503 55 85-01



362 EPA -537 03 61-21  
 371 EPA -537 03 61-08

**IMPORTANT ENGINE INFORMATION**

HUSKVARNA SWEDEN EM  
 THIS ENGINE CONFORMS TO U.S. EPA PH 1  
 EMISSION REGULATION FOR SMALL  
 NONROAD ENGINES. REFER TO OPERATOR'S  
 MANUAL FOR MAINTENANCE  
 SPECIFICATIONS AND ADJUSTMENTS.

